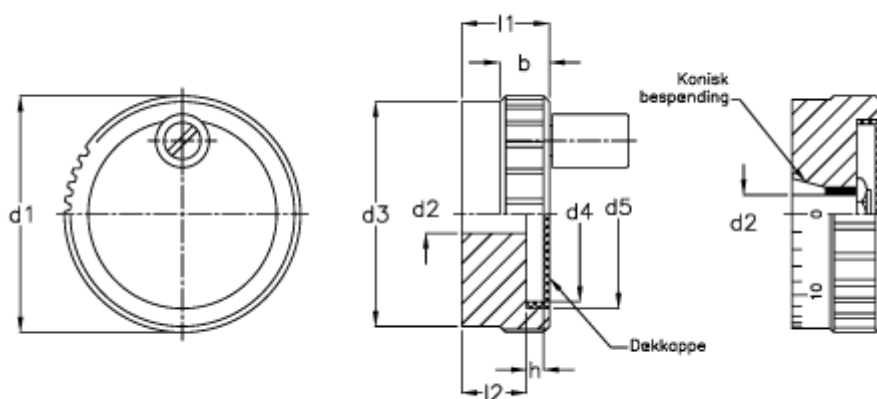


Article number: 20887228

Description: E+G Control knob  
GN 736.1-52-K10-D

## Measures



b -0.5	= 13	h	= 3.8
d1	= 52	Handle	= 13
d2 H8 with bush	= Z 10	l1	= 23
d2 H8 without slot	= B 10	l2	= 17
d2 H8 with slot	= K 10		
d3	= 50		
d4	= 37		
d5	= 39.5		